



# AL Series

Locks & latches



Fire Rated: Tested on fire door assemblies in accordance with Australian Standards, refer fire door manufacturer for specific approval details

The AL Series keyed lever lock utilises the Schlage original A Series cylindrical chassis with a lever design supported by heavy duty spring cages. This design provides strength and performance in more abusive commercial applications.

The AL Series is available in a variety of keyed and non-keyed functions. This series is ideally suited for commercial exterior and interior doors for medical, office, hotel/motel, public and community buildings, retail/store front and government facilities.

## Features

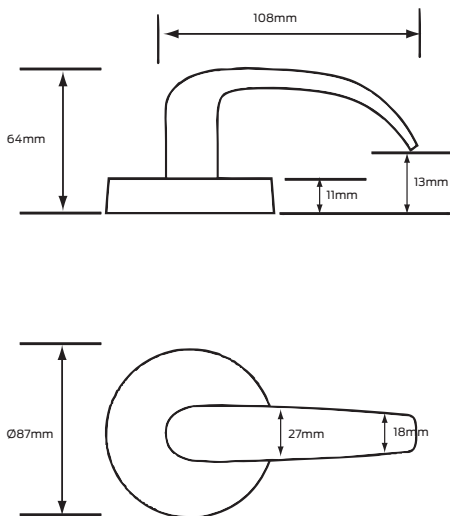
- Key removable outside lever for quick re keying and easy cylinder replacement and keying
- Cold rolled steel, machined, threaded hubs and locking nuts prevent loosening of the lockset by bolting chassis to the door
- True through-bolting of door prevents lock chassis rotation and disengagement from latch
- Stainless steel interlocking spindle design for added strength against excess force when lever is in locked position or latch has been fully retracted
- Heavy duty cast mounting plate with specially tapped holes reduces loosening of through-bolting and lockset on the door
- Heavy duty compression springs extend the life of the spring cage and minimises lever droop
- Patented door range adjuster allows quick and easy adjustment of the AL series for 35mm to 48mm thick doors
- Tested in excess of 400,000 operating cycles
- The 10 year warranty provides specifiers and users with assured quality and performance

# Specification guide

Function	Lever	Finish
Passage latch ..... AL10S	Neptune ..... NEP	Satin chrome plate..... SCP
Exit lock ..... AL25S		
Privacy latch ..... AL40S		
Entrance/office lock ..... AL50PD		
Classroom lock ..... AL70PD		
Storeroom lock ..... AL80PD		
Single dummy trim ..... AL170		

- Function  
Select the desired function e.g. Entrance lock ..... AL50PD
- Lever  
Select the desired lever e.g. Neptune ..... AL50PDNEP
- Finish  
Select the desired finish e.g. Satin chrome plate ..... AL50PDNEPSCP

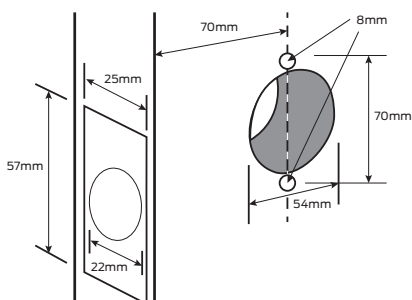
## Neptune







### Specifications

<b>Door type</b>	Timber or metal
<b>Door thickness</b>	35mm to 48mm
<b>Chassis</b>	Cold rolled steel, dichromated plated for corrosion resistance
<b>Lever</b>	Pressure cast zinc
<b>Forend</b>	Stainless steel
<b>Bolt</b>	Brass
<b>Strike plate</b>	Steel
<b>Backsets</b>	70mm latch standard, 60mm, 95mm and 127mm backset available
<b>Key cylinder</b>	Brass plug and cylinder housing, Schlage C6 pin keyway standard, Schlage E6 pin keyway optional, Schlage Everest D keyway optional
<b>Finish</b>	Satin chrome plate
<b>Warranty</b>	10 year mechanical




## Door preparation



## Schlage AL Series non-keyed

Function	Outside	Inside
<b>AL10S - Passage latch</b> Both levers always unlocked		
<b>AL25D - Exit lock</b> Blank plate outside Inside lever always unlocked		
<b>AL40S - Bath/bedroom privacy lock</b> Push-button locking locks outside Levers Turning inside lever or closing door releases button Outside lever has emergency release		
<b>AL170 - Single dummy trim</b> Dummy trim for one side of door Used for door pull or as matching inactive trim		

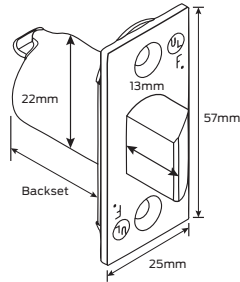
## Schlage AL Series keyed

Function	Description	Outside	Inside
<b>AL50PD - Entrance/office lock</b> Push-button locking; pushing button locks outside lever until unlocked by key or by turning inside lever			
<b>AL70PD - Classroom lock</b> Outside lever locked and unlocked by key Inside lever always unlocked			
<b>AL80PD - Storeroom lock</b> Outside lever fixed Entrance by key only Inside lever always unlocked			

# Schlage AL Series accessories

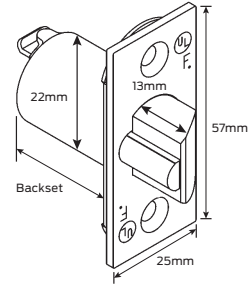
## Springlatch

**Backset:** 60mm, 70mm, 95mm and 127mm  
**Finish:** Satin chrome plate



## Deadlatch

**Backset:** 60mm, 70mm, 95mm and 127mm  
**Finish:** Satin chrome plate



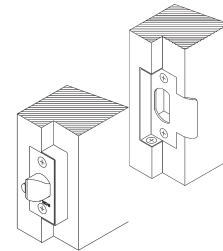
## Latch front adapter

Black plastic insert used to convert 25mm latch faceplates for 29mm wide door preparations



## Rebate kit

This kit adapts latches and strikes for 13mm rebated door and frame preparations



## Strikes

Optional lip lengths available  
**Finish:** Satin chrome plate

